



LED 路灯 Street Light



技术参数 Technical Parameters



| 产品型号 Model | 功率 Power | 整灯亮度 Luminous | 灯珠数量 Chips Qty | 输入电压 Input Voltage | Ip等级 IP Grade | 发光角度 Beam Angle | 灯体尺寸 Product Size |
|---------------|-------------|------------------|-------------------|-----------------------|------------------|--------------------|----------------------|
| KTSL2209-80W | 80W | 10400LM | 126PCS 3030 | 90-265VAC | IP65 | 120 | L508*W320*H 70mm |
| KTSL2209-100W | 100W | 13000LM | 154PCS 3030 | 90-265VAC | IP65 | 120 | L508*W320*H 70mm |
| KTSL2209-120W | 120W | 15600LM | 154PCS 3030 | 90-265VAC | IP65 | 120 | L508*W320*H 70mm |
| KTSL2209-150W | 150W | 19500LM | 196PCS 3030 | 90-265VAC | IP65 | 120 | L508*W320*H 70mm |

私模专利，压铸铝外壳。
Private mould, Die-casting AL housing.

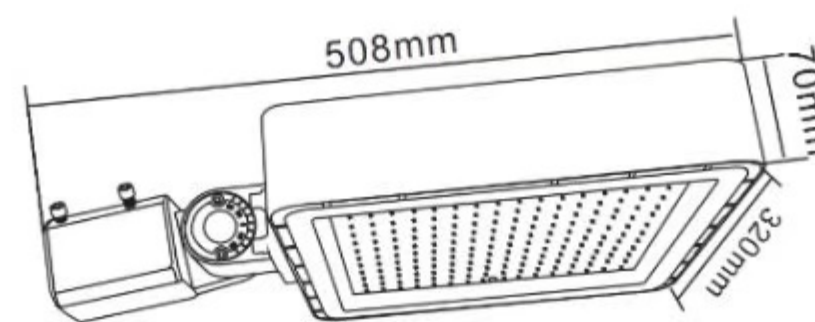
有1-10V, PWM, DALI调光功能可选。
1-10V, PWM, DALI Dimmable available.

明纬电源，飞利浦或科锐芯片方案，质保五年。
Meanwell Driver, Philips or Cree chips, 5 years warranty.

案例 Case



尺寸图 Product Size



用途 Application

广泛适用于各种市政道路, 乡镇道路, 国道, 省道, 高速路, 停车场, 厂区, 小区等道路照明项目。

Widely used for road lighting projects in various municipal roads, township roads, national roads, provincial highways, highways, parking lots, factories and residential areas.